

LT2202A



WELL LIGHT

PRODUCT FEATURES

Lamp Type	MR-16 (Sold Separately)
Wattage	UP to 50W
Voltage	9 – 17V AC/DC
Lead Wire	Pre-strip SVT 2x18 AWG Gauge, L=72"
IP Rating	IP65
Lens Material	Clear Glass Lens
Housing	Solid Brass + Nylon
Finish	AB Antique Bronze / GM Gun Metal Black / MB Matte Black
Dimensions	4.9" DIA x 5.5" H



ORDERING INFORMATION

CATEGORY	MODEL	FINISH	LAMP	ACCESSORIES	
WELL LIGHT	LT2202A	AB Antique Bronze	4W	LT403A	MR16 Louvre
		Bronze	5W		
		GM Gun Metal Black	6W		
		MB Matte Black	7W		
			8W		



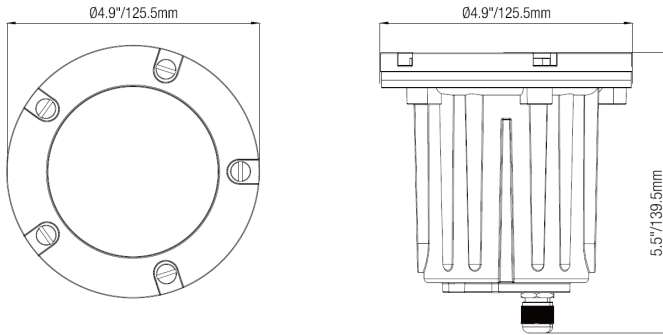
LUMINOUS LANDSCAPE LLC

501 S. Reino Rd. #237 Newbury Park, CA 91320
shopluminouslighting.com • 323-999-6277

SPECIFICATIONS

Housing Construction	Solid Brass
Finish	Antique Bronze Gun Metal Black Matte Black
Lens	Clear Glass Lens
Ground Stake	Included
Wiring	Prewired with 72" 18/2 AWG Lead Wire
Led lamp	MR-16 LED Lamp
Electrical	Input Voltage Range 9 - 17V AC/DC. Low voltage transformer required to operate (sold separately)

DIMENSIONS



LT2202A

