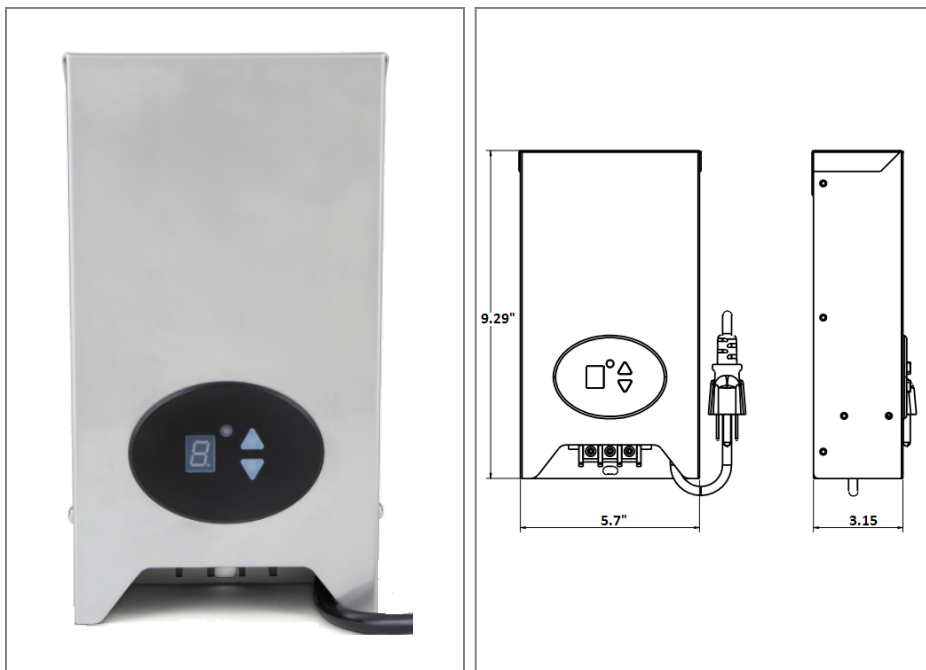


SS300W**Magnetic Non Dimmable**

Outdoor Stainless Steel Enclosure

Multi Tap: **12VAC and 15VAC**Total Wattage: **300W max**Input Voltage: **120V 60Hz**

Conforms to UL STD. 1838
 Certified to CSA
 STD. C22.2 No. 250.0, 250.7
 model SS300W

**Transformer**

Non Dimmable

Temperature class B(130°C)

Input leads: Line cord

Output leads: Terminal Block

Thermal manually reset secondary breaker 35A

Timer and photocell build in options

Housing

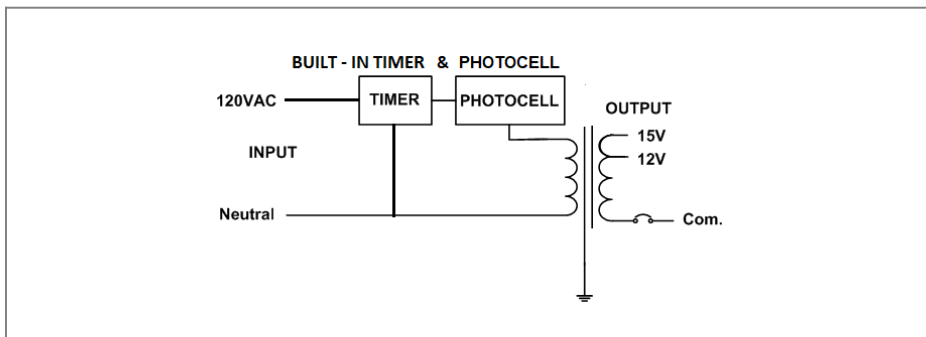
The actual transformer 300W is encapsulated in the enclosure

The enclosure is Stainless Steel, NEMA 3R rated

Enclosure Temperature does not exceed 70°C at 45°C ambient and fully loaded

Dimensions (inch): H = 9.29, W = 5.7, D = 3.15

Weight (LBs): 11.7

Electrical ParametersInput Voltage: **120V 60Hz**Max. input current at full load: **2.5A**Output voltage without load: **12/ 15VAC**Output voltage fully loaded: **11.5/ 14.5VAC**Max. Total Wattage: **300W**Max. Output Current: **25/ 20A**Efficiency: **90%****LUMINOUS LANDSCAPE LLC**

501 S. Reino Rd. #237 Newbury Park, CA 91320
 shopluminouslighting.com • 323-999-6277